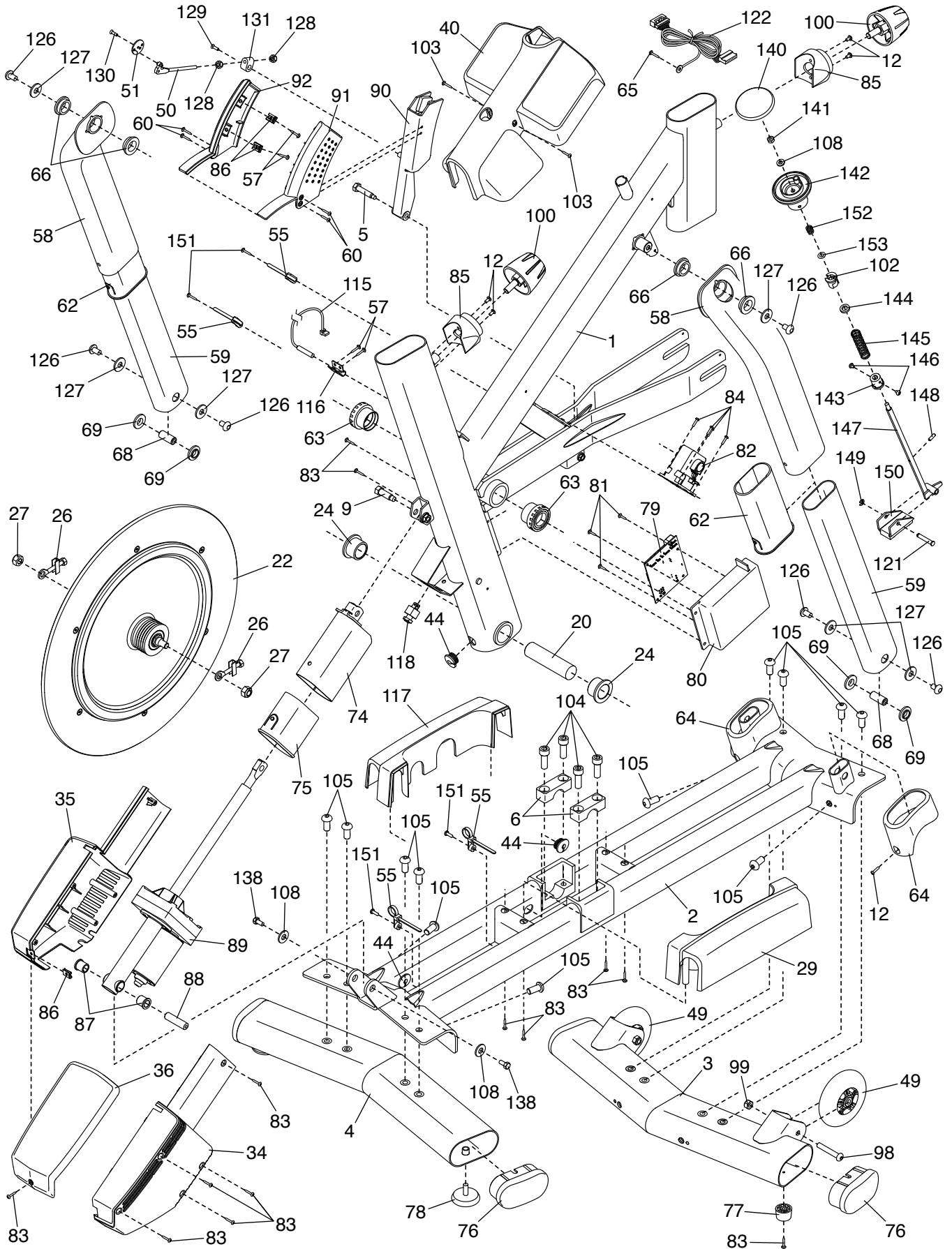


EXPLODED DRAWING A

Model No. NTEVEX16720.5 R0221A



EXPLODED DRAWING B

Model No. NTEVEX16720.5 R0221A

